

## 2 × 24 W BTL or 4 × 12 W single-ended car radio power amplifier

### TDA8564Q

#### FEATURES

- Requires very few external components
- High output power
- Flexibility in use - Quad single-ended or stereo BTL
- Low output offset voltage
- Fixed gain
- Diagnostic facility (distortion, short-circuit and temperature detection)
- Good ripple rejection
- Mode select switch (operating, mute and standby)
- Load dump protection
- AC and DC short-circuit safe to ground and to  $V_P$
- Low power dissipation in any short-circuit condition
- Thermally protected
- Reverse polarity safe

- Electrostatic discharge protection
- No switch-on/switch-off plop
- Flexible leads
- Low thermal resistance
- Identical inputs (inverting and non-inverting).

#### GENERAL DESCRIPTION

The TDA8564Q is an integrated class-B output amplifier in a 17-lead DIL-bent-SIL power package. It contains 4 × 12 W single-ended or 2 × 24 W bridge amplifiers.

#### APPLICATIONS

- The device is primarily developed for car radio applications.

#### QUICK REFERENCE DATA

SYMBOL	PARAMETER	CONDITIONS	MIN.	TYP.	MAX.	UNIT
$V_P$	operating supply voltage		6.0	14.4	18.0	V
$I_{ORM}$	repetitive peak output current		–	–	4	A
$I_{q(tot)}$	total quiescent current		–	80	–	mA
$I_{stb}$	standby current		–	0.1	100	$\mu$ A
<b>Stereo BTL application</b>						
$P_o$	output power	$R_L = 4 \Omega$ ; THD = 10%	–	24	–	W
SVRR	supply voltage ripple rejection		–	41	–	dB
$V_{no}$	noise output voltage	$R_s = 0 \Omega$	–	200	–	$\mu$ V
$ Z_i $	input impedance		25	–	–	k $\Omega$
$ \Delta V_O $	DC output offset voltage		–	–	250	mV
<b>Quad single-ended application</b>						
$P_o$	output power	$R_L = 4 \Omega$ ; THD = 10%	–	6.4	–	W
		$R_L = 2 \Omega$ ; THD = 10%	–	12	–	W
SVRR	supply voltage ripple rejection		–	41	–	dB
$V_{no}$	noise output voltage	$R_s = 0 \Omega$	–	200	–	$\mu$ V
$ Z_i $	input impedance		50	–	–	k $\Omega$

#### ORDERING INFORMATION

TYPE NUMBER	PACKAGE		
	NAME	DESCRIPTION	VERSION
TDA8564Q	DBS17P	plastic DIL-bent-SIL power package; 17 leads (lead length 12 mm)	SOT243-1

2 × 24 W BTL or 4 × 12 W single-ended car  
radio power amplifier

TDA8564Q

BLOCK DIAGRAM

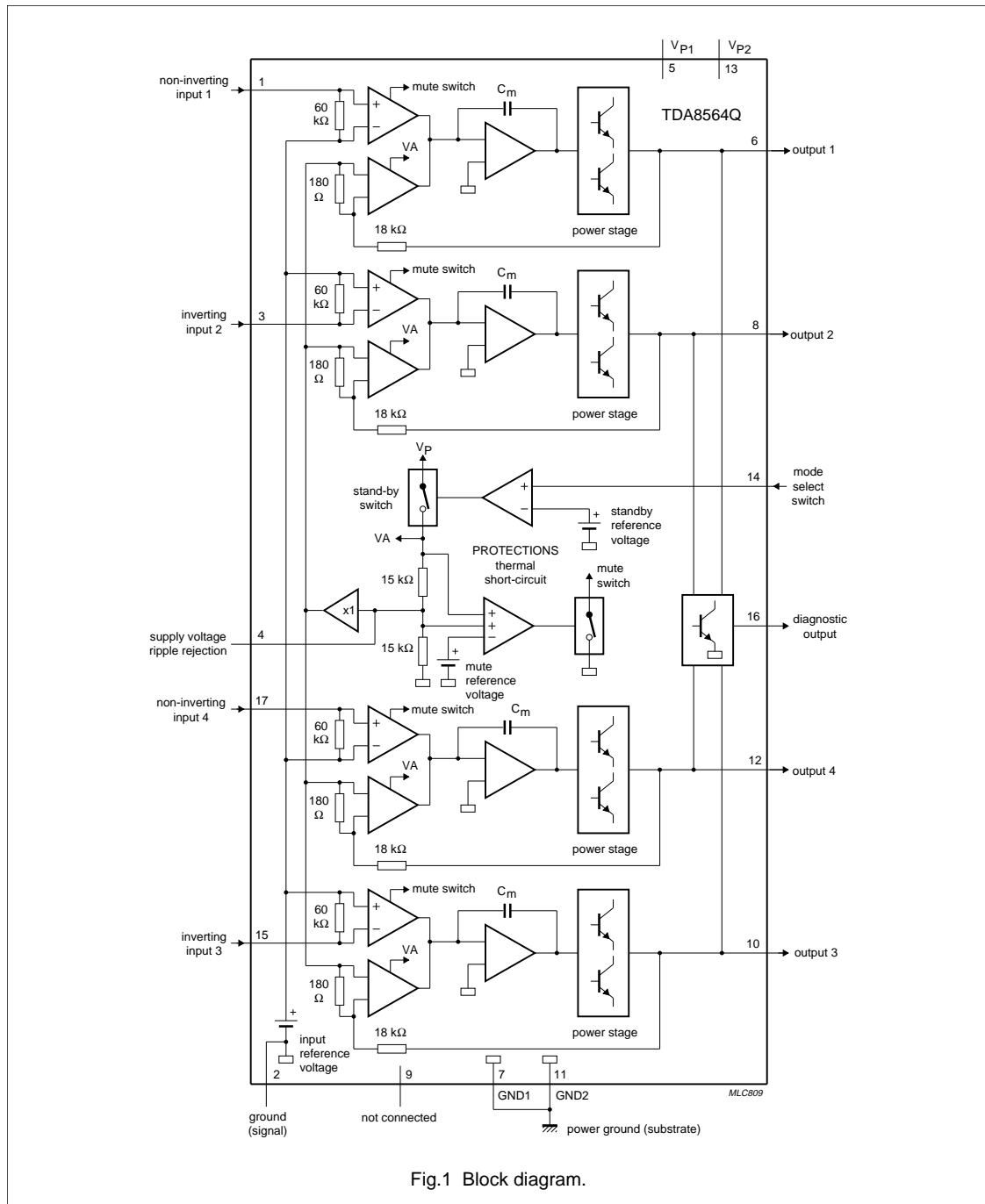


Fig.1 Block diagram.

## 2 × 24 W BTL or 4 × 12 W single-ended car radio power amplifier

TDA8564Q

### PINNING

SYMBOL	PIN	DESCRIPTION
-INV1	1	non-inverting input 1
SGND	2	signal ground
INV2	3	inverting input 2
SVRR	4	supply voltage ripple rejection
V <sub>P1</sub>	5	supply voltage 1
OUT1	6	output 1
GND1	7	power ground 1
OUT2	8	output 2
n.c.	9	not connected
OUT3	10	output 3
GND2	11	power ground 2
OUT4	12	output 4
V <sub>P2</sub>	13	supply voltage 2
MODE	14	mode select switch input
INV3	15	inverting input 3
V <sub>DIAG</sub>	16	diagnostic output
-INV4	17	non-inverting input 4

### FUNCTIONAL DESCRIPTION

The TDA8564Q contains four identical amplifiers which can be used for single-ended or bridge applications. The gain of each amplifier is fixed at 40 dB (46 dB in BTL). Special features of the device are as follows.

#### Mode select switch (pin 14)

- Low standby current (<100 µA)
- Low switching current (low cost supply switch)
- Mute facility.

To avoid switch-on pops, it is advised to keep the amplifier in the mute mode during  $\geq 100$  ms (charging of the input capacitors at pins 1, 3, 15 and 17).

This can be achieved by:

- Microcontroller control
- External timing circuit (see Fig.3).

The circuit in Fig.3 slowly ramps up the voltage at the mode select switch pin when switching on and results in fast muting when switching off.

In the event of fast switching at mode select pin it is advised to increase the  $\frac{1}{2}V_P$  decoupling capacitor (pin 4) to 150 µF to avoid switch pops.

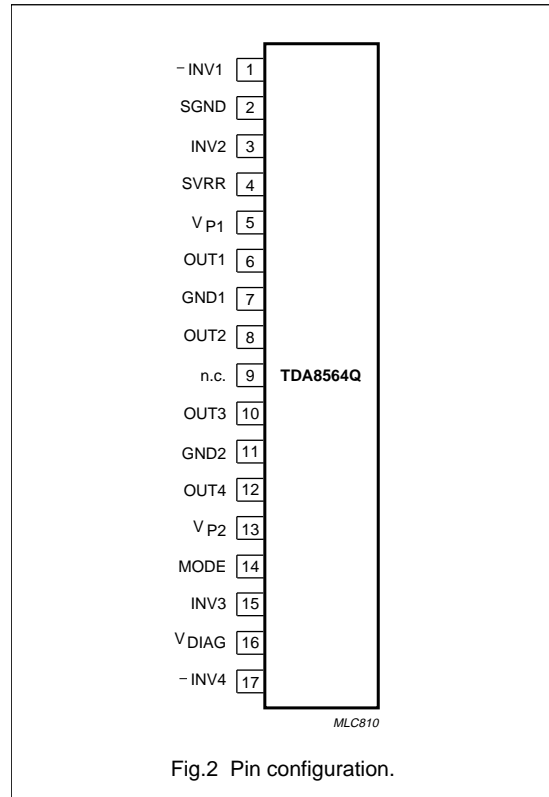


Fig.2 Pin configuration.

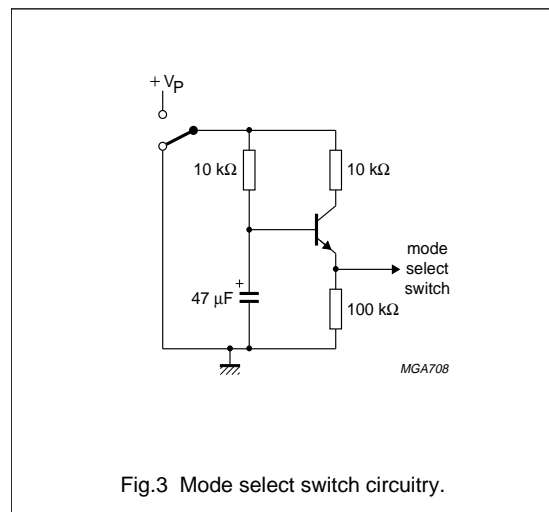


Fig.3 Mode select switch circuitry.

**2 × 24 W BTL or 4 × 12 W single-ended car  
radio power amplifier**

**TDA8564Q**

**Diagnostic output (pin 16)**

**DYNAMIC DISTORTION DETECTOR (DDD)**

At the onset of clipping of one or more output stages, the dynamic distortion detector becomes active and pin 16 goes LOW. This information can be used to drive a sound processor or DC volume control to attenuate the input signal and thus limit the distortion. The output level of pin 16 is independent of the number of channels that are clipping (see Figs 4 and 5).

**SHORT-CIRCUIT PROTECTION**

When a short-circuit occurs at one or more outputs to ground or to the supply voltage, the output stages are switched off until the short-circuit is removed and the device is switched on again, with a delay of approximately 20 ms after removal of the short-circuit. During this short-circuit condition, pin 16 is continuously LOW.

When a short-circuit across the load of one or more channels occurs the output stages are switched off during

approximately 20 ms. After that time it is checked during approximately 50 μs to see whether the short-circuit is still present. Due to this duty cycle of 50 μs/20 ms the average current consumption during this short-circuit condition is very low (approximately 40 mA).

During this short-circuit condition, pin 16 is LOW for 20 ms and HIGH for 50 μs (see Fig.6).

The power dissipation in any short-circuit condition is very low.

**TEMPERATURE DETECTION**

When the virtual junction temperature  $T_{vj}$  reaches 150 °C, pin 16 will be active LOW.

**OPEN-COLLECTOR OUTPUT**

Pin 16 is an open-collector output, which allows pin 16 of more devices being tied together.

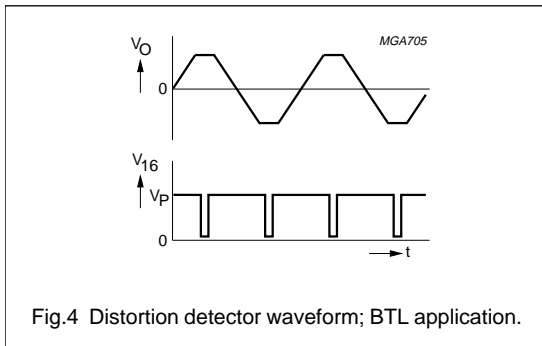


Fig.4 Distortion detector waveform; BTL application.

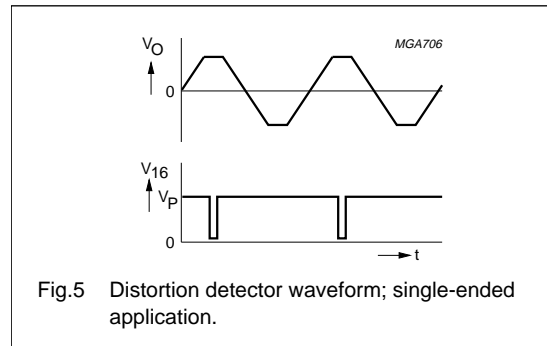


Fig.5 Distortion detector waveform; single-ended application.

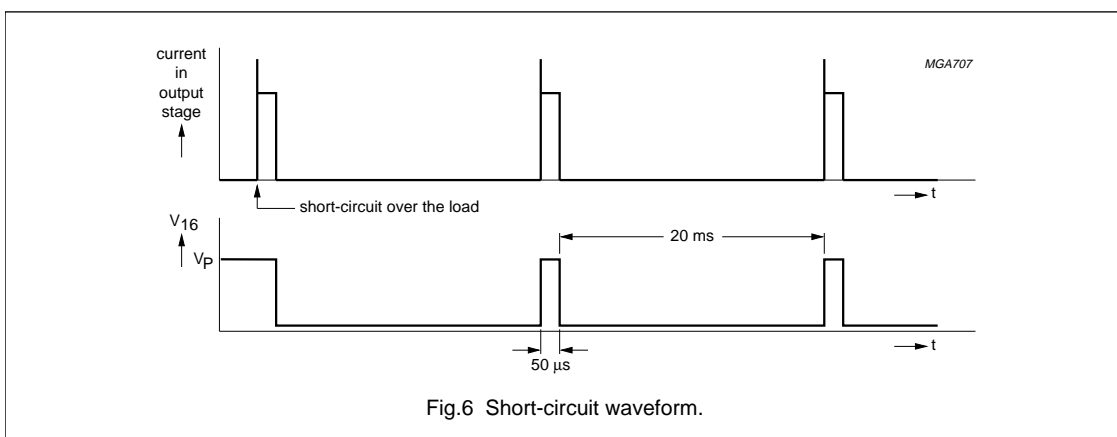


Fig.6 Short-circuit waveform.

**2 × 24 W BTL or 4 × 12 W single-ended car  
radio power amplifier**

**TDA8564Q**

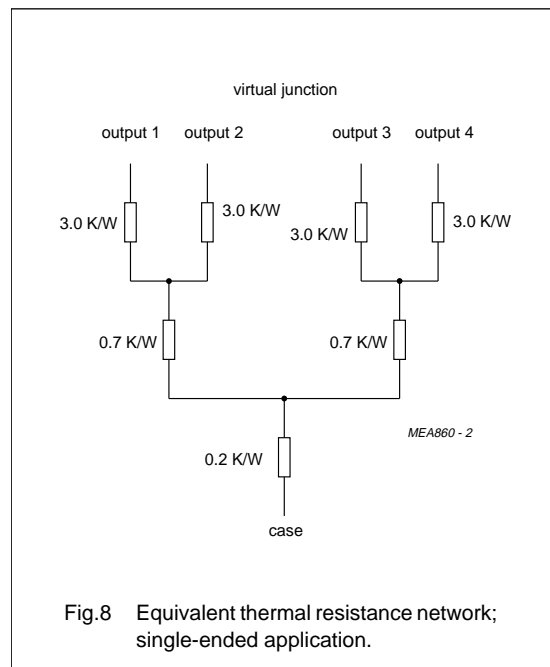
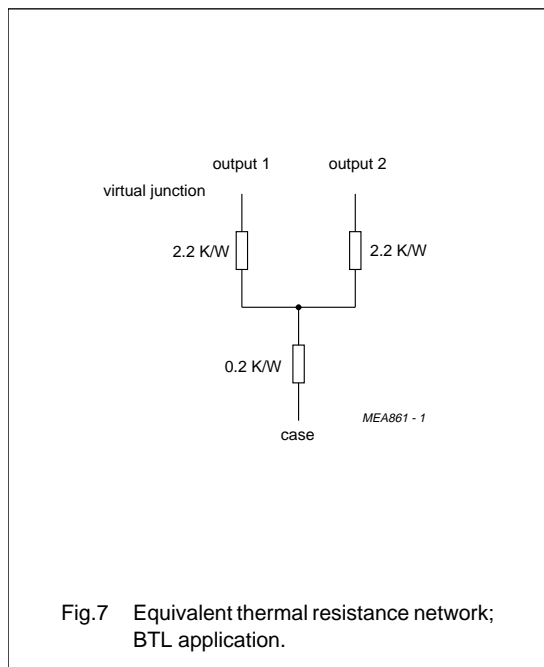
**LIMITING VALUES**

In accordance with the Absolute Maximum Rating System (IEC 134).

SYMBOL	PARAMETER	CONDITIONS	MIN.	MAX.	UNIT
V <sub>P</sub>	supply voltage				
	operating		–	18	V
	non-operating		–	30	V
	load dump protection	during 50 ms; t <sub>r</sub> ≥ 2.5 ms	–	45	V
V <sub>psc</sub>	AC and DC short-circuit safe voltage		–	18	V
V <sub>pr</sub>	reverse polarity		–	6	V
I <sub>OSM</sub>	non-repetitive peak output current		–	6	A
I <sub>ORM</sub>	repetitive peak output current		–	4	A
P <sub>tot</sub>	total power dissipation		–	60	W
T <sub>stg</sub>	storage temperature		–55	+150	°C
T <sub>amb</sub>	operating ambient temperature		–40	+85	°C
T <sub>vj</sub>	virtual junction temperature		–	150	°C

**THERMAL CHARACTERISTICS**

SYMBOL	PARAMETER	VALUE	UNIT
R <sub>th j-a</sub>	thermal resistance from junction to ambient in free air	40	K/W
R <sub>th j-c</sub>	thermal resistance from junction to case (see Figs 7 and 8)	1.3	K/W



**2 × 24 W BTL or 4 × 12 W single-ended car  
radio power amplifier**

TDA8564Q

**DC CHARACTERISTICS**

$V_P = 14.4 \text{ V}$ ;  $T_{\text{amb}} = 25 \text{ °C}$ ; measured in Fig.17; unless otherwise specified.

SYMBOL	PARAMETER	CONDITIONS	MIN.	TYP.	MAX.	UNIT
<b>Supply</b>						
$V_P$	supply voltage	note 1	6.0	14.4	18.0	V
$I_q$	quiescent current	see Fig.9	–	80	160	mA
$V_O$	DC output voltage	note 2	–	6.9	–	V
$ \Delta V_O $	DC output offset voltage		–	–	250	mV
<b>Mute select switch</b>						
$V_{14}$	switch-on voltage level		8.5	–	–	V
<b>MUTE CONDITION</b>						
$V_{\text{mute}}$	mute voltage		3.3	–	6.4	V
$V_O$	output signal in mute position	$V_{I(\text{max})} = 1 \text{ V}$ ; $f = 1 \text{ kHz}$	–	–	20	mV
$ \Delta V_O $	DC output offset voltage		–	–	250	mV
<b>STANDBY CONDITION</b>						
$V_{\text{stb}}$	DC voltage in standby condition		0	–	2	V
$I_{\text{stb}}$	DC current in standby condition		–	–	100	$\mu\text{A}$
$I_{\text{sw}}$	switch-on current		–	12	40	$\mu\text{A}$
<b>Diagnostic output (pin 16)</b>						
$V_{\text{DIAG}}$	diagnostic output voltage	any short-circuit or clipping	–	–	0.6	V

**Notes**

1. The circuit is DC adjusted at  $V_P = 6$  to  $18 \text{ V}$  and AC operating at  $V_P = 8.5$  to  $18 \text{ V}$ .
2. At  $18 \text{ V} < V_P < 30 \text{ V}$  the DC output voltage  $\leq \frac{1}{2}V_P$ .

**2 × 24 W BTL or 4 × 12 W single-ended car  
radio power amplifier**

TDA8564Q

**AC CHARACTERISTICS**

$V_P = 14.4$  V;  $R_L = 4$   $\Omega$ ;  $f = 1$  kHz;  $T_{amb} = 25$  °C; unless otherwise specified.

SYMBOL	PARAMETER	CONDITIONS	MIN.	TYP.	MAX.	UNIT
<b>Stereo BTL application</b> (measured in Fig.17)						
$P_o$	output power	THD = 0.5%; note 1	15	19	–	W
		THD = 10%; note 1	20	24	–	W
$P_o$	output power	$V_P = 13.2$ V; THD = 0.5%; note 1	–	16	–	W
		$V_P = 13.2$ V; THD = 10%; note 1	–	20	–	W
THD	total harmonic distortion	$P_o = 1$ W	–	0.1	–	%
$f_{lr}$	low frequency roll-off	at –1 dB; note 2	–	45	–	Hz
$f_{hr}$	high frequency roll-off	at –1 dB	20	–	–	kHz
$G_v$	closed loop voltage gain		45	46	47	dB
SVRR	supply voltage ripple rejection					
	on	note 3	38	41	–	dB
	mute	note 3	42	48	–	dB
	standby	note 3	80	–	–	dB
$ Z_i $	input impedance		25	30	38	k $\Omega$
$V_{no}$	noise output voltage					
	on	$R_s = 0$ $\Omega$ ; note 4	–	200	–	$\mu$ V
	on	$R_s = 10$ k $\Omega$ ; note 4	–	350	700	$\mu$ V
	mute	notes 4 and 5	–	180	–	$\mu$ V
$\alpha_{cs}$	channel separation	$R_s = 10$ k $\Omega$	40	–	–	dB
$ \Delta G_v $	channel unbalance		–	–	1	dB
<b>DYNAMIC DISTORTION DETECTOR</b>						
THD	total harmonic distortion	$V_{16} \leq 0.6$ V; no short-circuit	–	10	–	%

**2 × 24 W BTL or 4 × 12 W single-ended car  
radio power amplifier**

TDA8564Q

SYMBOL	PARAMETER	CONDITIONS	MIN.	TYP.	MAX.	UNIT
<b>Quad single-ended application</b> (measured in Fig. 18)						
P <sub>o</sub>	output power	THD = 0.5%; note 1	4	5	–	W
		THD = 10%; note 1	5.5	6.4	–	W
P <sub>o</sub>	output power	R <sub>L</sub> = 2 Ω; THD = 0.5%; note 1	7.5	8.5	–	W
		R <sub>L</sub> = 2 Ω; THD = 10%; note 1	10	12	–	W
THD	total harmonic distortion	P <sub>o</sub> = 1 W	–	0.15	–	%
f <sub>lr</sub>	low frequency roll-off	at –3 dB; note 2	–	45	–	Hz
f <sub>hr</sub>	high frequency roll-off	at –1 dB	20	–	–	kHz
G <sub>v</sub>	closed loop voltage gain		39	40	41	dB
SVRR	supply voltage ripple rejection					
	on	note 3	38	41	–	dB
	mute	note 3	42	48	–	dB
	standby	note 3	80	90	–	dB
Z <sub>i</sub>	input impedance		50	60	75	kΩ
V <sub>no</sub>	noise output voltage					
	on	R <sub>s</sub> = 0 Ω; note 4	–	200	300	μV
	on	R <sub>s</sub> = 10 kΩ; note 4	–	250	–	μV
	mute	notes 4 and 5	–	175	–	μV
α <sub>cs</sub>	channel separation	R <sub>s</sub> = 10 kΩ	40	52	–	dB
ΔG <sub>v</sub>	channel unbalance		–	–	1	dB
<b>DYNAMIC DISTORTION DETECTOR</b>						
THD	total harmonic distortion	V <sub>16</sub> ≤ 0.6 V; no short-circuit	–	10	–	%

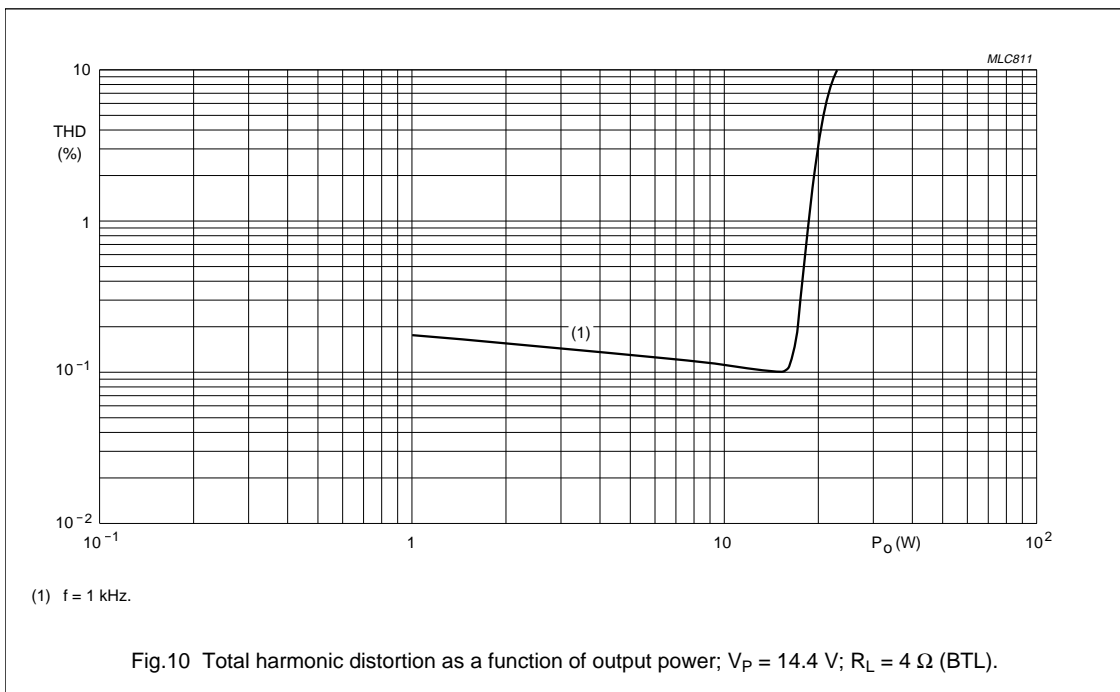
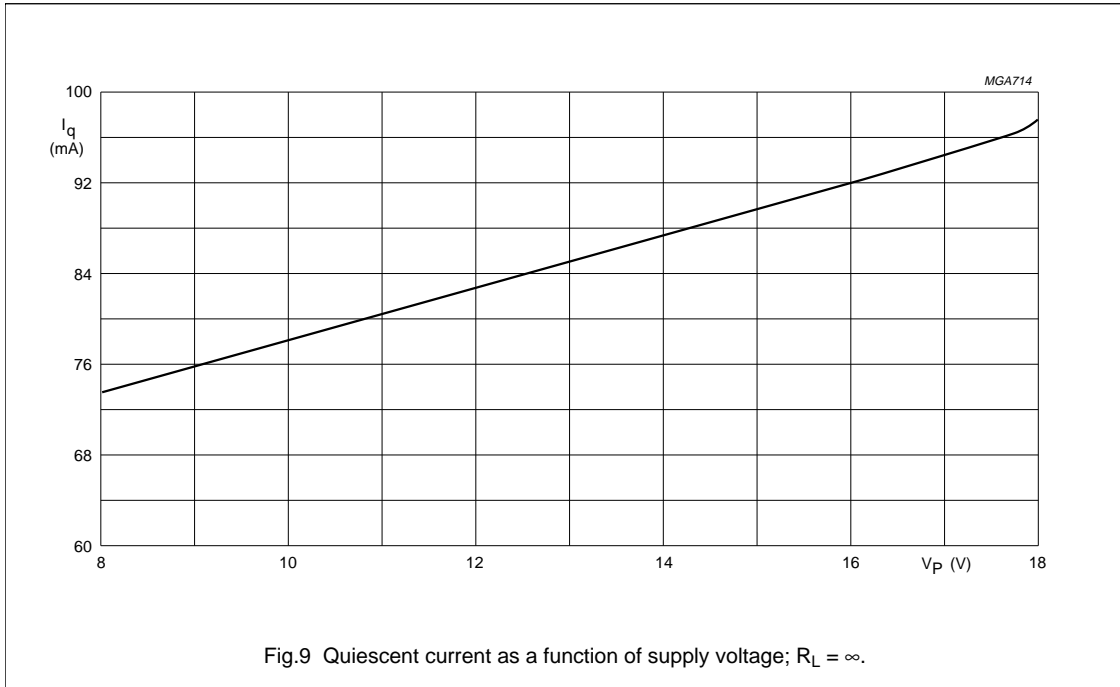
**Notes**

- Output power is measured directly at the output pins of the IC.
- Frequency response externally fixed.
- Ripple rejection measured at the output with a source impedance of 0 Ω, maximum ripple amplitude of 2 V (p-p).
- Noise voltage measured in a bandwidth of 20 Hz to 20 kHz.
- Noise output voltage independent of R<sub>s</sub> (V<sub>1</sub> = 0 V).



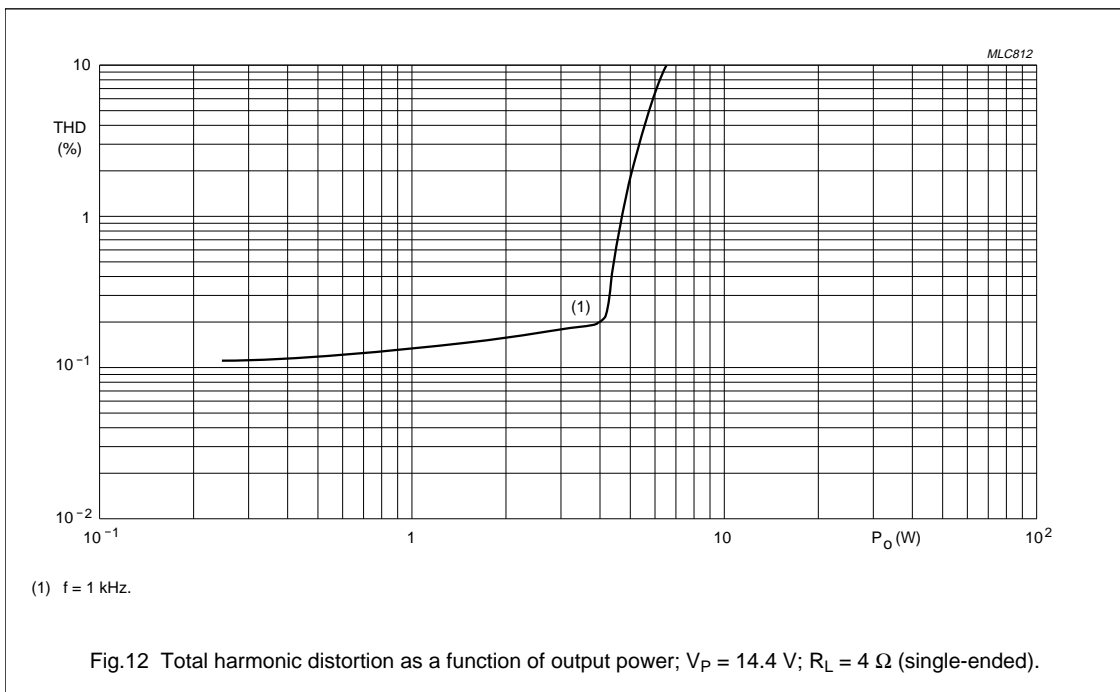
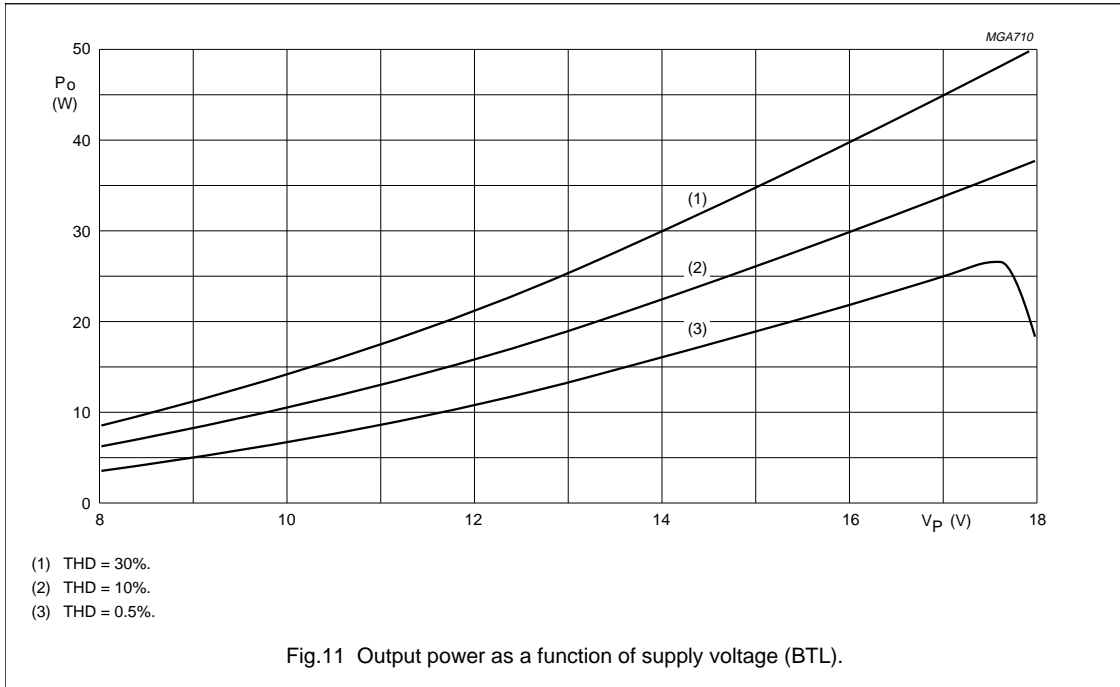
2 × 24 W BTL or 4 × 12 W single-ended car  
radio power amplifier

TDA8564Q



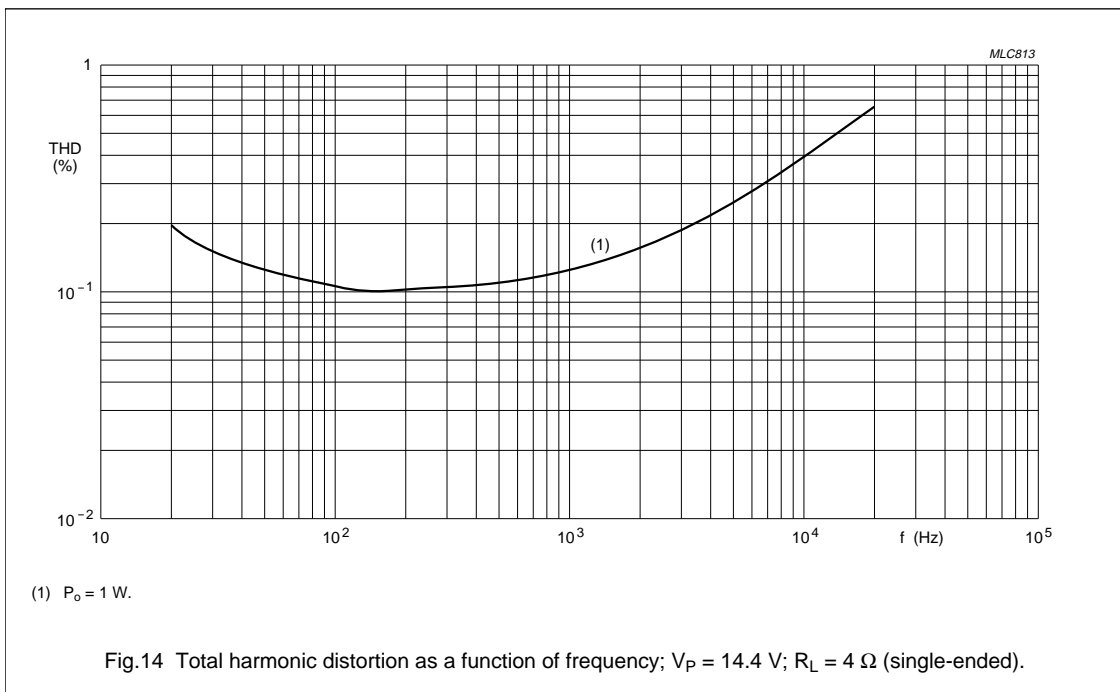
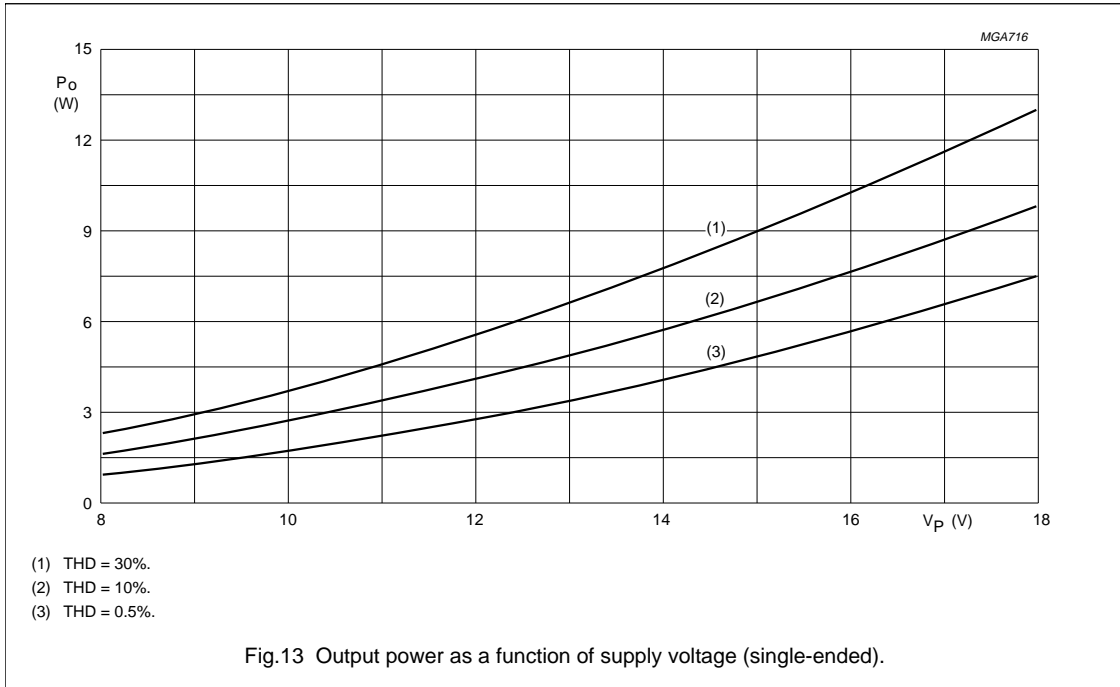
2 × 24 W BTL or 4 × 12 W single-ended car  
radio power amplifier

TDA8564Q



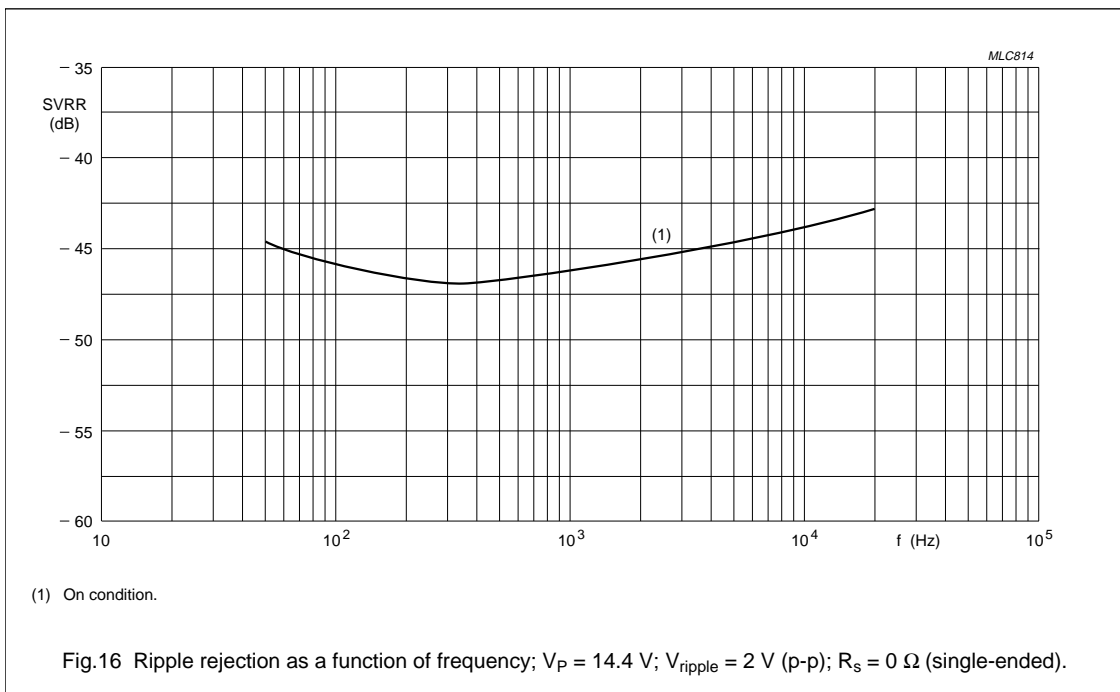
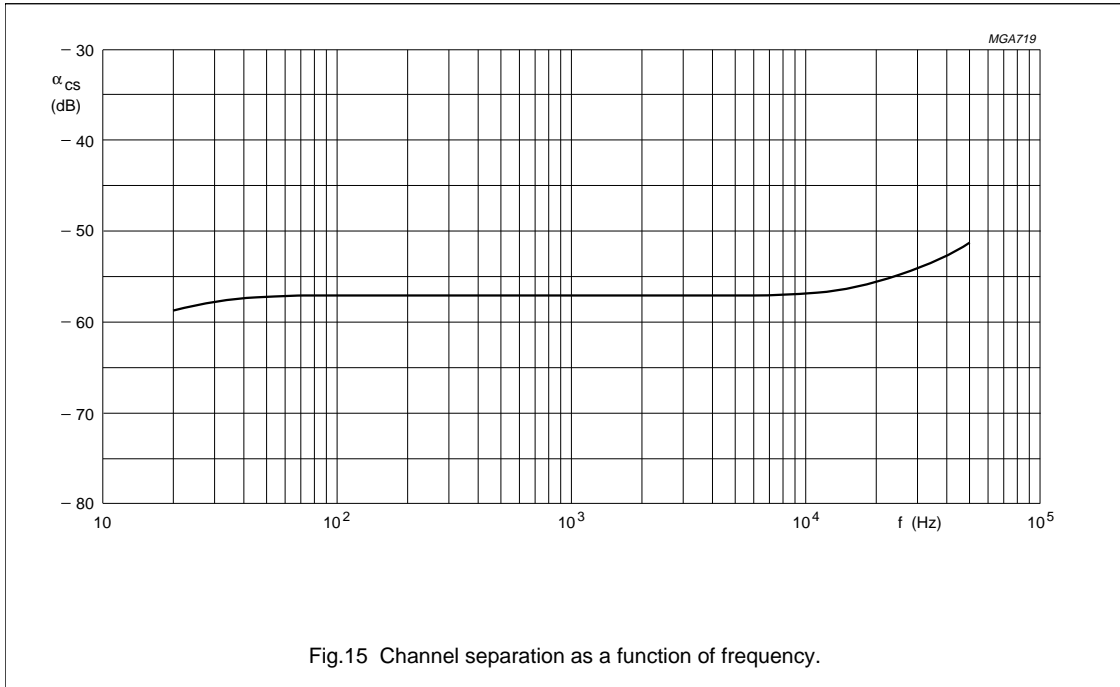
**2 × 24 W BTL or 4 × 12 W single-ended car  
radio power amplifier**

**TDA8564Q**



**2 × 24 W BTL or 4 × 12 W single-ended car  
radio power amplifier**

**TDA8564Q**



**2 × 24 W BTL or 4 × 12 W single-ended car  
radio power amplifier**

**TDA8564Q**

**TEST AND APPLICATION INFORMATION**

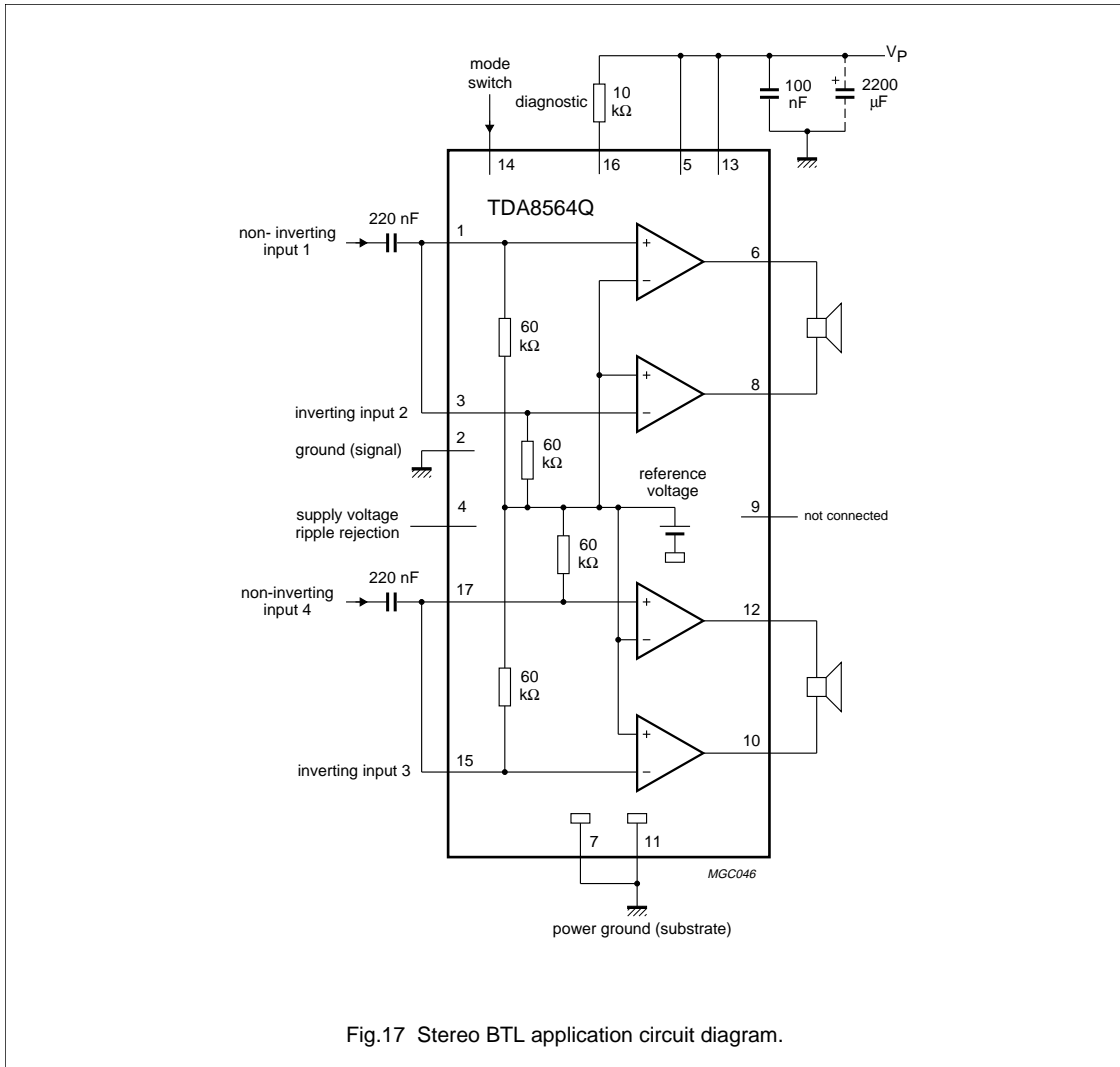
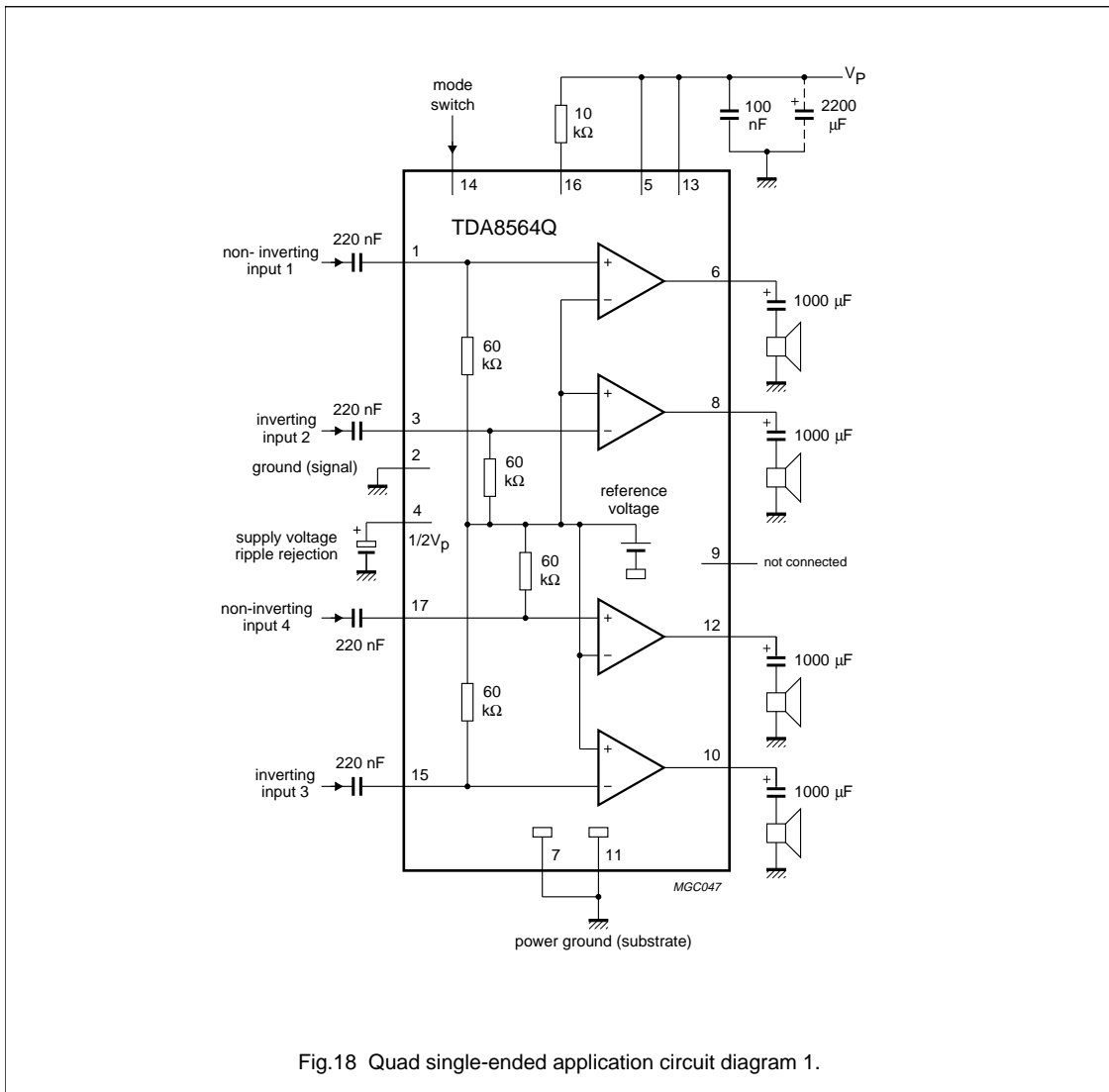


Fig.17 Stereo BTL application circuit diagram.

**2 × 24 W BTL or 4 × 12 W single-ended car  
radio power amplifier**

**TDA8564Q**



**2 × 24 W BTL or 4 × 12 W single-ended car  
radio power amplifier**

**TDA8564Q**

